

Installation Instructions - Zero Clearance Box

5a. Dimensions - Typical Frame Out

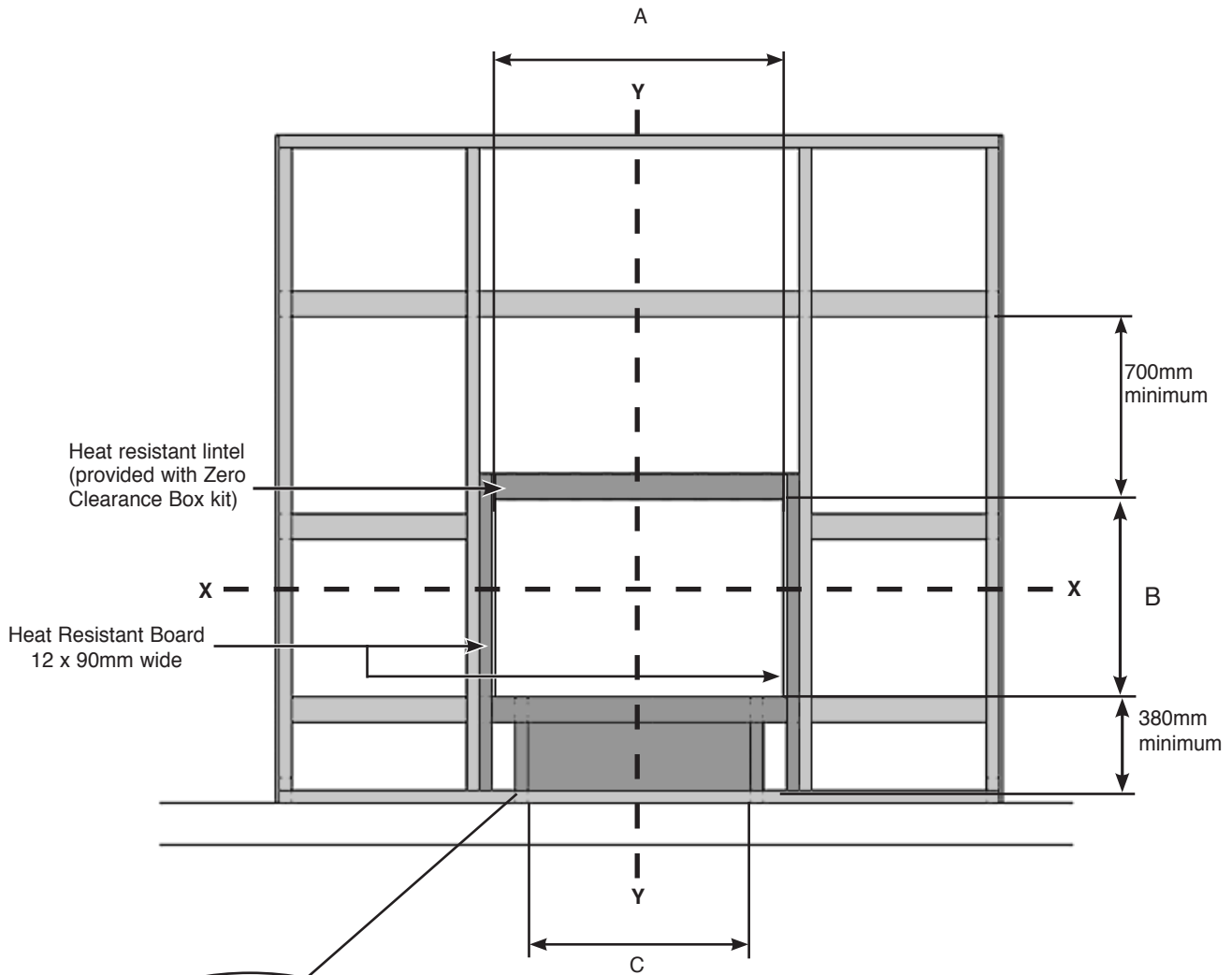


NOTE: See Section 9 for installation as an Edge finish. A different method of construction is required for the Frame Out.

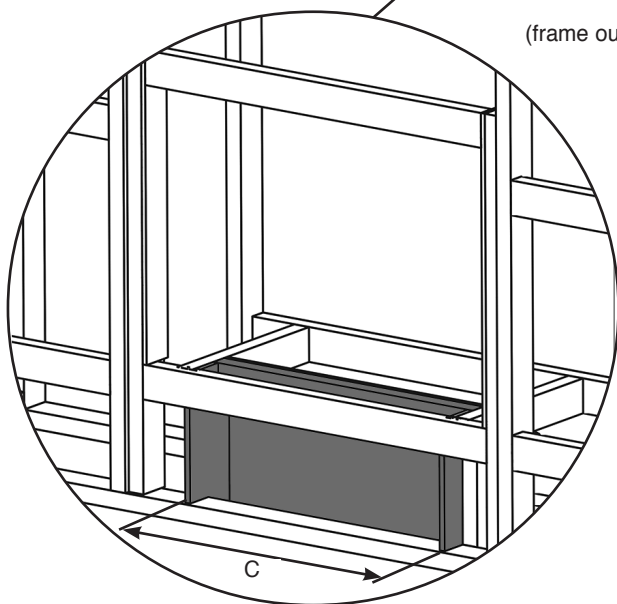
Typical construction

90 x 45mm timber

90 x 12mm heat resistant board



(frame out for optional fan - not required if fan not being installed)



Model	A	B	C
Studio 1	830	689	605
Studio 2	1030	712	750
Studio 3	1417	723	1300

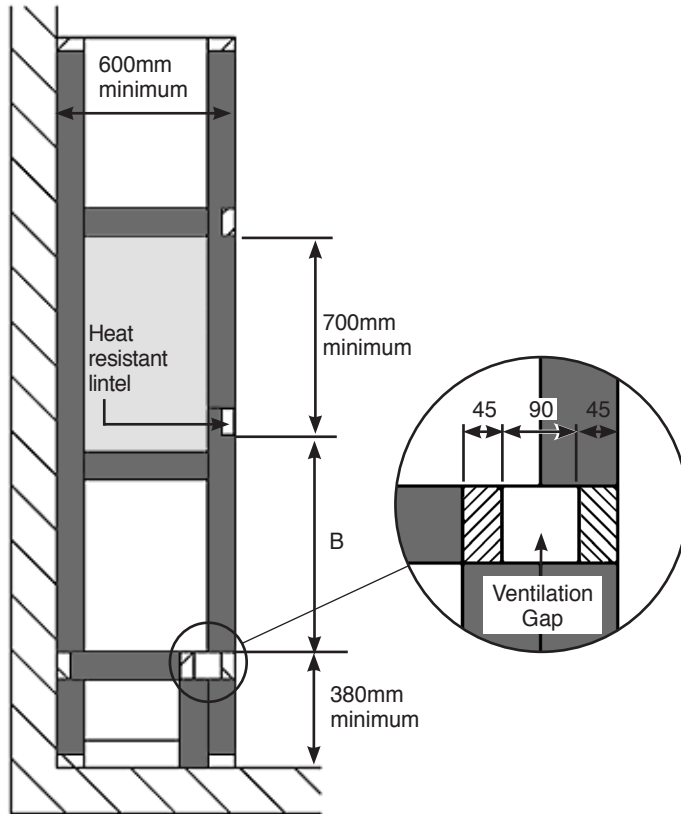
Installation Instructions - Zero Clearance Box

5b. Dimensions - Typical Frame Out continued

Section Y - Y

 No heat sensitive material in this area

Model	A	B	C
Studio 1	830	689	605
Studio 2	1030	712	750
Studio 3	1417	723	1300



Section X - X

